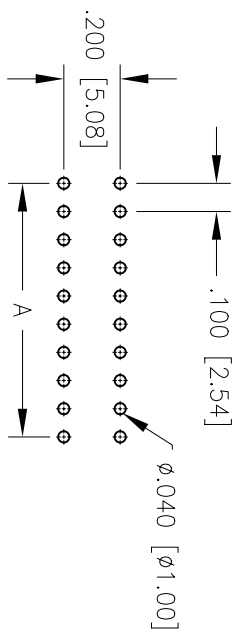
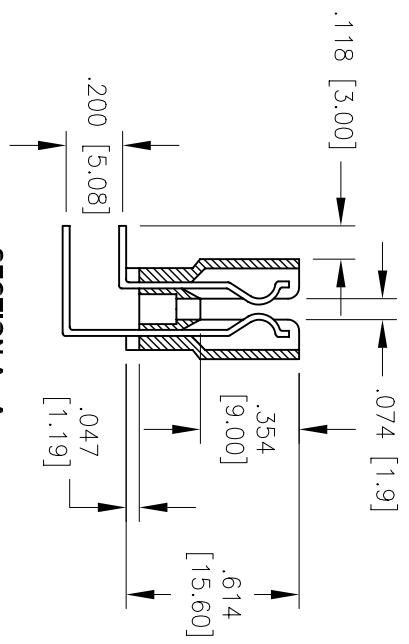
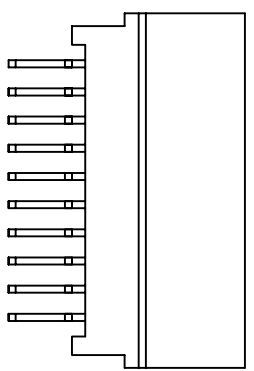
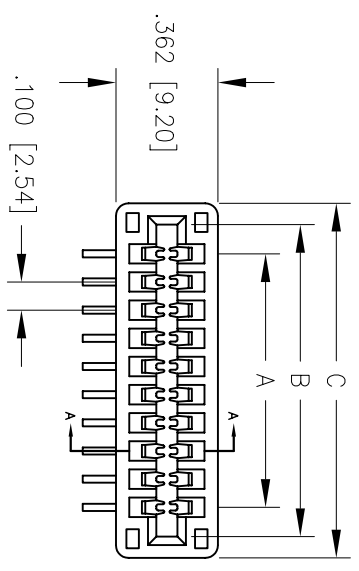


APPROVED: _____
 DATE: _____ TITLE: _____



RECOMMENDED PCB LAYOUT

SPECIFICATIONS:

- Material:**
 Insulator: PBT, glass reinforced, rated UL 94V-0
 Insulator color: Black
 Contacts: Phosphor Bronze
 Plating:
 Gold Flash over Nickel underplate on contact area, Tin over Copper underplate on tails
Electrical:
 Operating voltage: 250 VAC max
 Current rating: 3 Amps max
 Contact resistance: 30 mohms max
 Insulation resistance: 3000 Mohms min @ 500 VDC
 Dielectric withstanding voltage: 500 VAC for 1 minute
Temperature Rating:
 Operating temperature: -40°C to +105°C
Environmental:
 Lead free, RoHS Compliant,
 Recommended Soldering temp: 230° for 5 sec.



Rev	AWO #	Description	Date	Appr
-		RELEASED	02/16/05	
A		ADDED ROHS TO SPECIFICATION	03/14/05	

UNLESS OTHERWISE SPECIFIED ALL DIMENSIONS ARE IN INCHES [MM] TOLERANCES: EXCEPT AS NOTED		INCHES		HOLES	
.X	± .10	ØX	± .10		
.XX	± .020	ØXX	± .015		
.XXX	± .015	ØXXX	± .010		
APPROVALS		DATE			
DRAWN	SS	02/16/05			
CHECKED					
APPROVED					
TITLE		SIZE	PART NO.	SCALE	SHEET 1 OF 1
CARD EDGE CONNECTOR, RIGHT ANGLE		X	CERA-XX-U	NTS	A
.100" PITCH, PCB					
ADAM TECH 909 Rahway Avenue, Union, NJ 07083 Phone: 908-687-5000 Fax: 908-687-5710					